



Administration Set Catalog

For

Z-800F

Z-800W

Z-800WF

Infusion Pumps



Zyno Medical, LLC | www.zynomed.com

email: info@zynomed.com

Phone: 866.395.1988

Fax: 508.650.2006

Table of Contents

1.	Zyno Medical Z-800 Series Large Volume Infusion Pumps.....	3
2.	Zyno Administration Set Naming Convention	3
3.	B2/BX Primary Administration Sets: Z-800F/W/WF	4
3.1.	B2/BX Primary Administration Filter Sets: Z-800F/W/WF.....	5
4.	Secondary Administration Sets	6
5.	Extension Administration Sets with Filter	7
6.	Administration Set Quick Reference for: Z-800F, Z-800W, Z-800WF.....	8

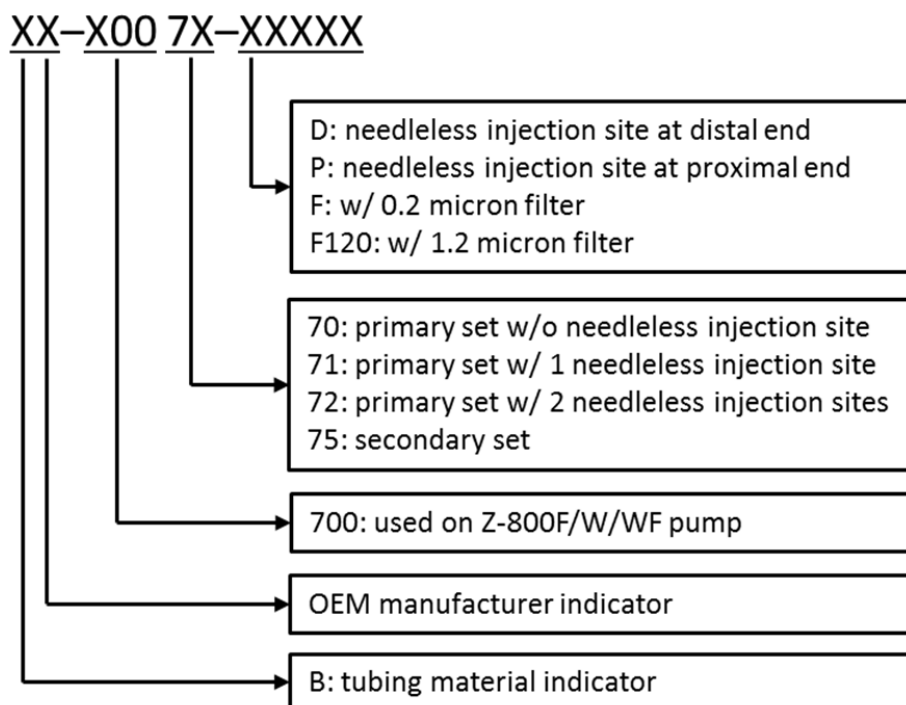
1. Zyno Medical Z-800 Series Large Volume Infusion Pumps

This catalog supports the following Zyno Medical Large Volume Infusion Pumps:

- Zyno Z-800F Set Based Anti-free Flow Pump
- ZynoFlo Z-800W Pump
- ZynoFlo Z-800WF Set Based Anti-free Flow Pump

2. Zyno Administration Set Naming Convention

The naming convention allows for the recognition of the administration set via the part number. The naming convention will identify the OEM manufacturer, the pump type, with or without needless injection site(s), location of injection site and filter options.



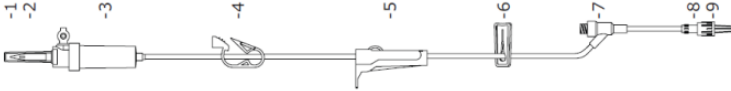
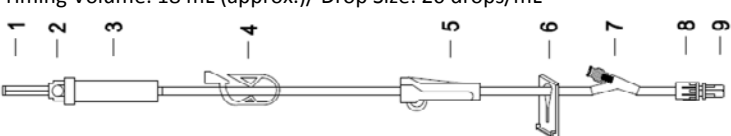

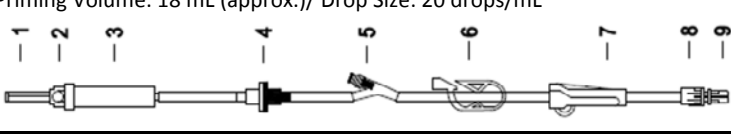
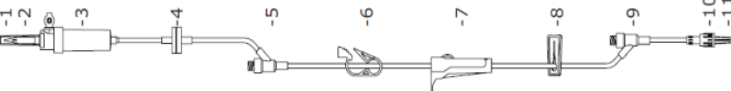
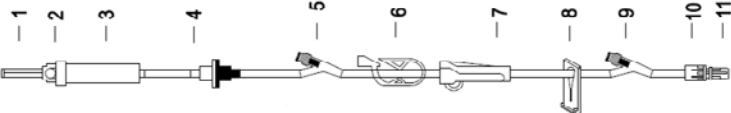


Warning: Only use Zyno Medical provided administration sets with the Z-800 Series Large Volume Infusion Pumps. There are risks associated with using any administration sets other than Zyno Medical administration sets with this device. Zyno’s warranty for its device will be null and void and Zyno will assume no responsibility for any incidents that may occur if the device is not utilized strictly in accordance with its product labeling.

3. B2/BX Primary Administration Sets: Z-800F/W/WF

B2/BX Primary Administration Sets

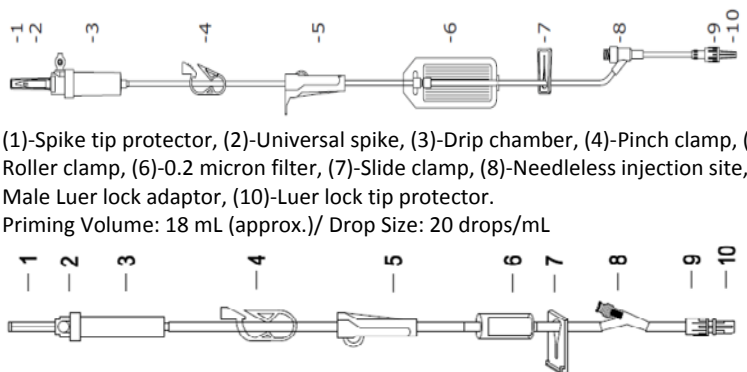
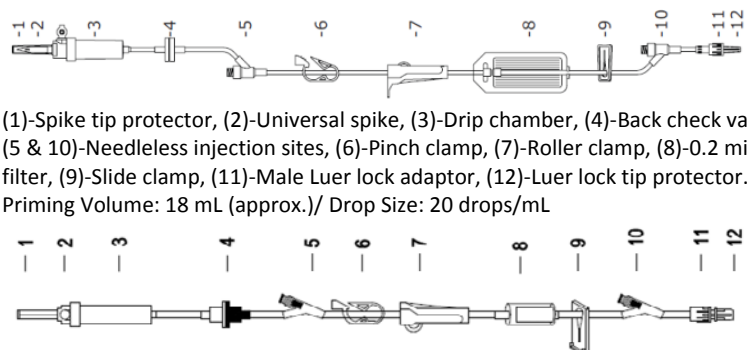
B2/BX Primary Administration Sets are single-use sets for use with Zyno Medical Z-800F, Z-800W and Z-800WF Infusion pumps. All B2/BX Primary administration set fluid paths are sterile, non-Pyrogenic, are not made with natural rubber latex, and are not made with DEHP.

Product #	Description	Length	# of Y-Sites	Qty
B2-70070		105" (266cm)	0	50
or	(1)-Spike tip protector, (2)-Universal spike, (3)-Drip chamber, (4)-Pinch clamp, (5)-Roller clamp, (6)-Male Luer lock adaptor, (7)-Luer lock tip protector. Priming Volume: 18 mL (approx.)/ Drop Size: 20 drops/mL			
BX-70070				
B2-70071-D		105" (266cm)	1 (distal)	50
or	(1)-Spike tip protector, (2)-Universal spike, (3)-Drip chamber, (4)-Pinch clamp, (5)-Roller clamp, (6)-Slide clamp, (7)-Needleless injection site, (8)-Male Luer lock adaptor, (9)-Luer lock tip protector. Priming Volume: 18 mL (approx.)/ Drop Size: 20 drops/mL			
BX-70071-D				
B2-70071-P		105" (266cm)	1 (proximal)	50
or	(1)-Spike tip protector, (2)-Universal spike, (3)-Drip chamber, (4)-Back check valve, (5)-Needleless injection site, (6)-Pinch clamp, (7)-Roller clamp, (8)-Male Luer lock adaptor, (9)-Luer lock tip protector. Priming Volume: 18 mL (approx.)/ Drop Size: 20 drops/mL			
BX-70071-P				
B2-70072		105" (266cm)	2	50
or	(1)-Spike tip protector, (2)-Universal spike, (3)-Drip chamber, (4)-Back check valve, (5 & 9)-Needleless injection sites, (6)-Pinch clamp, (7)-Roller clamp, (8)-Slide clamp, (10)-Male Luer lock adaptor, (11)-Luer lock tip protector. Priming Volume: 18 mL (approx.)/ Drop Size: 20 drops/mL			
BX-70072				

3.1. B2/BX Primary Administration Filter Sets: Z-800F/W/WF

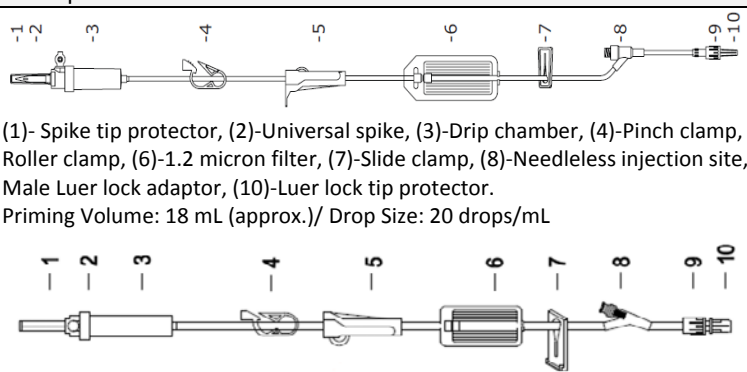
B2/BX Primary Sets with 0.2 Micron Filter

B2/BX Primary Administration Sets are single-use sets for use with Zyno Medical Z-800F, Z-800W and Z-800WF Infusion pumps. All B2/BX Primary administration set fluid paths are sterile, non-Pyrogenic, are not made with natural rubber latex, and are not made with DEHP.

Product #	Description	Length	# of Y-Sites	Qty
B2-70071-DF or BX-70071-DF	 <p>(1)-Spike tip protector, (2)-Universal spike, (3)-Drip chamber, (4)-Pinch clamp, (5)-Roller clamp, (6)-0.2 micron filter, (7)-Slide clamp, (8)-Needleless injection site, (9)-Male Luer lock adaptor, (10)-Luer lock tip protector. Priming Volume: 18 mL (approx.)/ Drop Size: 20 drops/mL</p>	105" (266cm)	1 (distal)	50
B2-70072-F or BX-70072-F	 <p>(1)-Spike tip protector, (2)-Universal spike, (3)-Drip chamber, (4)-Back check valve, (5 & 10)-Needleless injection sites, (6)-Pinch clamp, (7)-Roller clamp, (8)-0.2 micron filter, (9)-Slide clamp, (11)-Male Luer lock adaptor, (12)-Luer lock tip protector. Priming Volume: 18 mL (approx.)/ Drop Size: 20 drops/mL</p>	105" (266cm)	2	50

B2/BX Primary Administration Sets with 1.2 Micron Filter

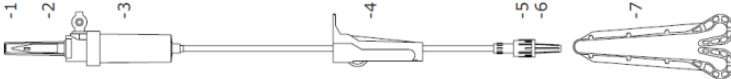
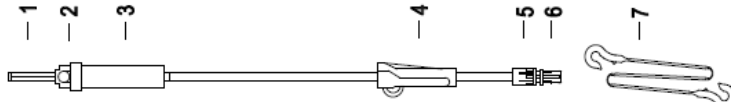
B2/BX Primary Administration Sets are for use with Zyno Medical Z-800F, Z-800W and Z-800WF Infusion pumps. All B2/BX Primary administration set fluid paths are sterile, non-Pyrogenic, are not made with natural rubber latex, and are not made with DEHP.

Product #	Description	Length	# of Y-Sites	Qty
B2-70071-DF120 or BX-7071-DF120	 <p>(1)- Spike tip protector, (2)-Universal spike, (3)-Drip chamber, (4)-Pinch clamp, (5)-Roller clamp, (6)-1.2 micron filter, (7)-Slide clamp, (8)-Needleless injection site, (9)-Male Luer lock adaptor, (10)-Luer lock tip protector. Priming Volume: 18 mL (approx.)/ Drop Size: 20 drops/mL</p>	105" (266cm)	1 (distal)	50

4. Secondary Administration Sets

Secondary Administration Sets

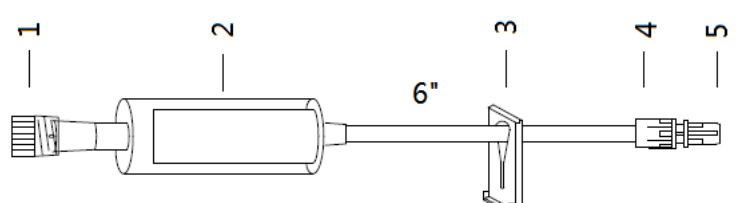
Secondary Administration Sets are single-use sets for use with Zyno Medical Z-800F, Z-800W and Z-800WF Infusion pumps. All Secondary administration set fluid paths are sterile, non-Pyrogenic, are not made with natural rubber latex, and are not made with DEHP.

Product #	Description	Length	# of Y-Sites	Qty
AA-80075	 <p>(1)-Spike tip protector, (2)-Universal spike, (3)-Drip chamber, (4)-Roller clamp, (5)-Male Luer lock adaptor, (6)-Luer lock tip protector, (7)-Bag hanger (11 inch). Priming Volume: 9 mL (approx.)/ Drop Size: 20 drops/mL</p>	40" (101cm)	0	50
AX-80075	 <p>(1)-Spike tip protector, (2)-Universal spike, (3)-Drip chamber, (4)-Roller clamp, (5)-Male Luer lock adaptor, (6)-Luer lock tip protector, (7)-Bag hanger (16.5 inch). Priming Volume: 9 mL (approx.)/ Drop Size: 20 drops/mL</p>	40" (101cm)	0	50

5. Extension Administration Sets with Filter

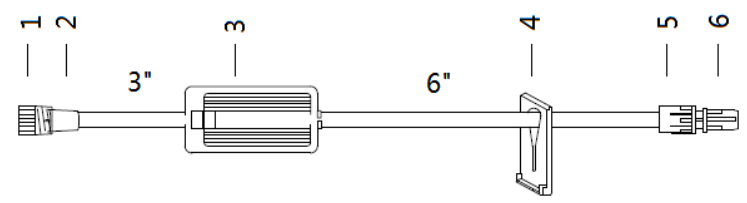
Extension Administration Sets with 0.2 Micron Filter

Extension Administration Sets are single-use sets for use with Zyno Medical Z-800F, Z-800W and Z-800WF Infusion pumps. All extension administration set fluid paths are sterile, non-Pyrogenic are not made with natural rubber latex, and are not made with DEHP.

Product #	Description	Length	# of Y-Sites	Qty
FE01	 <p>(1)-Tip protector, (2)-0.2 micron filter with female Luer adapter, (3)-Slide clamp, (4)-Male Luer lock adaptor, (5)-Luer lock tip protector.</p>	10" (25cm)	0	50

Extension Administration Sets with 1.2 Micron Filter

Extension Administration Sets are single-use sets for use with Zyno Medical Z-800F, Z-800W and Z-800WF Infusion pumps. All extension administration set fluid paths are sterile, non-Pyrogenic, are not made with natural rubber latex, and are not made with DEHP.

Product #	Description	Length	# of Y-Sites	Qty
FE04	 <p>(1)-Tip protector, (2)-Female Luer adapter, (3)-1.2 micron filter, (4)-Slide clamp, (5)-Male Luer lock adaptor, (6)-Luer lock tip protector.</p>	14" (35cm)	0	50

6. Administration Set Quick Reference for: Z-800F, Z-800W, Z-800WF

Z-800 Series Large Volume Infusion Pumps Quick Reference for: Z-800F, Z-800W, Z-800WF												
Product Number	Primary Admin Set	Secondary Admin Set	Filter Extension	Back-check valve	Filter (μ)	Y-Site(s)		Roller Clamp	Slide Clamp	Drip Chamber	Length	Units/Case
						Proximal	Distal					
B2-70070 BX-70070	X							X		X	105"	50
B2-70071-D BX-70071-D	X						X	X	X	X	105"	50
B2-70071-P BX-70071-P	X			X		X		X		X	105"	50
B2-70071-DF BX-70071-DF	X				0.2		X	X	X	X	105"	50
B2-70072 BX-70072	X			X		X	X	X	X	X	105"	50
B2-70072-F BX-70072-F	X			X	0.2	X	X	X	X	X	105"	50
AA-80075 AX-80075		X						X		X	40"	50
FE01			X		0.2				X		10"	50
FE04			X		1.2				X		14"	50
B2-70071-DF120 BX-70071-DF120	X				1.2		X	X	X	X	105"	50

Administration set fluid paths are sterile, non-Pyrogenic, are not made with natural rubber latex, and are not made with DEHP
 Single-use sets, universal spike, spike protector, drip chamber, male luer-lock and tip protector
 Needleless injection sites
 Drip chamber = 20 drops/ mL

Notes:

For more information or to place an order, please contact us at;

Zyno Medical, LLC | 177 Pine Street | Natick, MA 01760

Phone: 866-395-1988 | Fax: 508-650-2006

www.zynomed.com | Email: info@zynomed.com